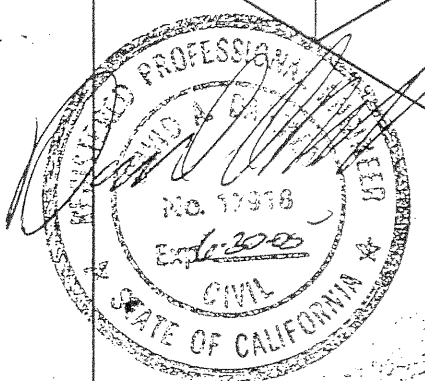


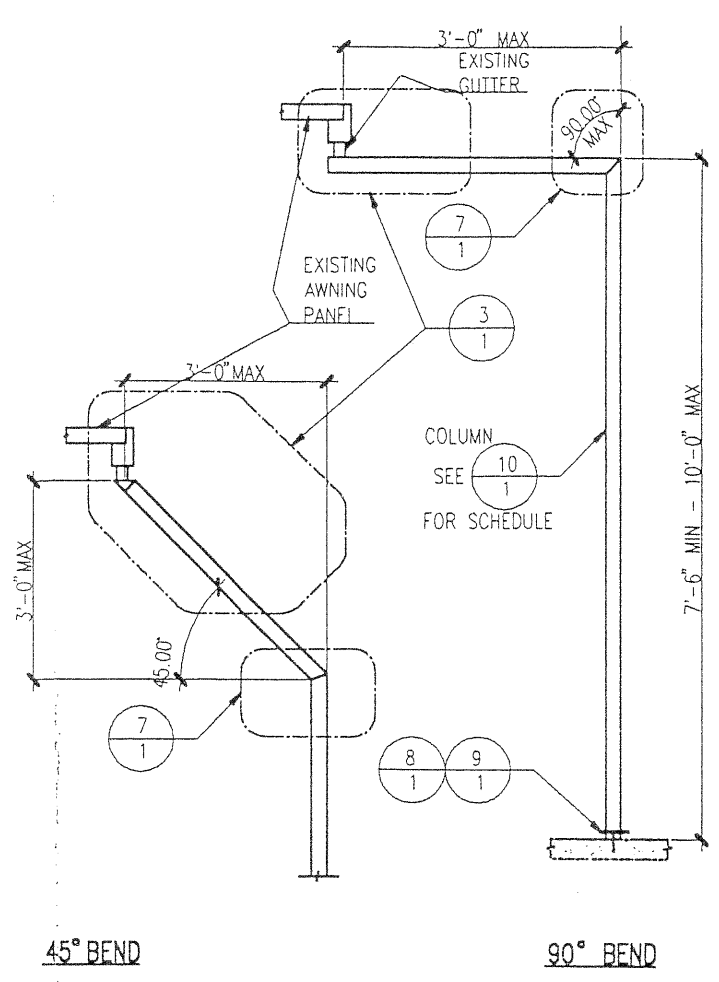
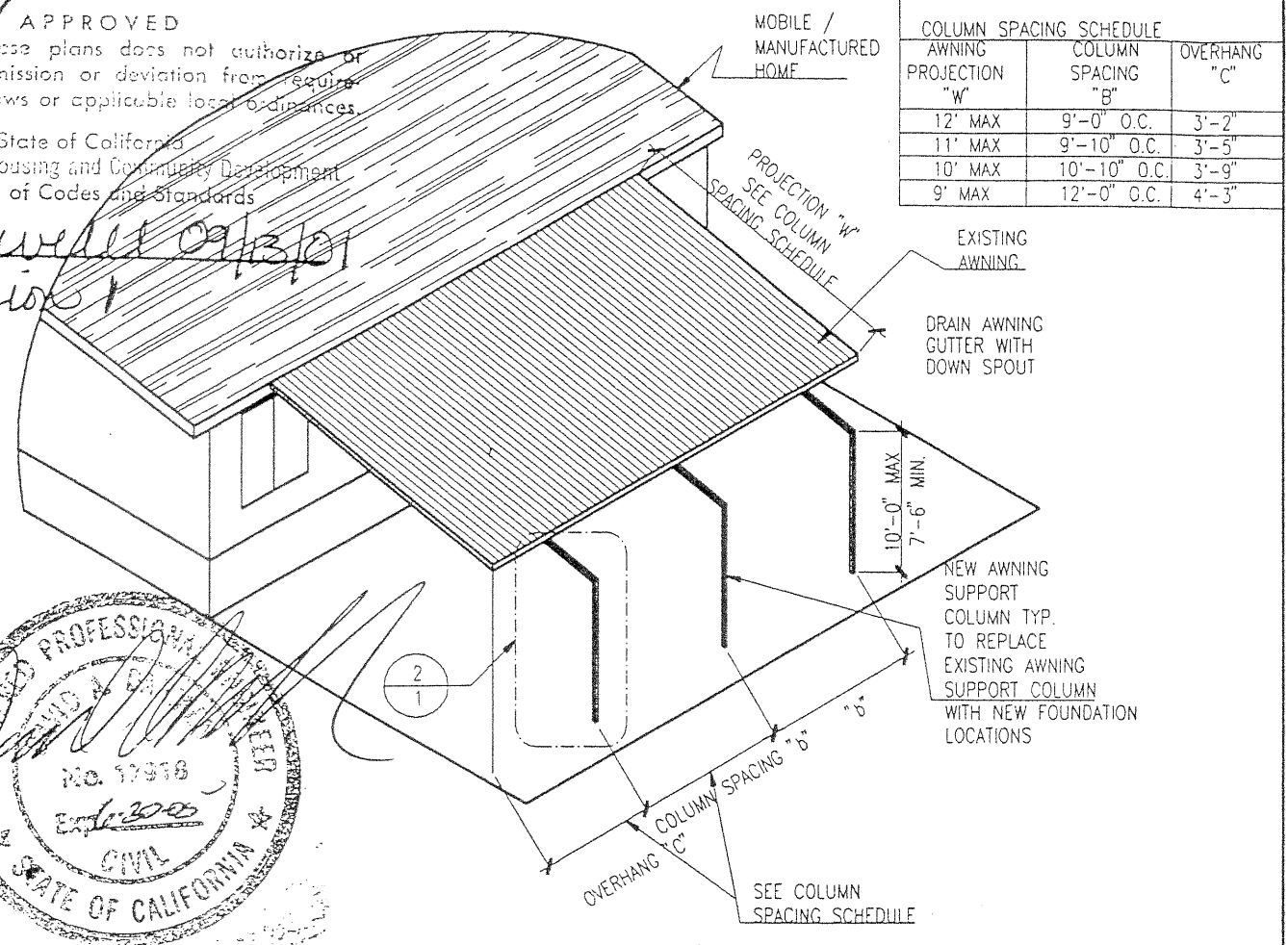
APPROVED  
Approval of these plans does not authorize or approve any omission or deviation from requirements of state laws or applicable local ordinances.

State of California  
Department of Housing and Community Development  
Division of Codes and Standards

by *Michael J. ...*  
Revisions



COLUMN SPACING SCHEDULE		
AWNING PROJECTION "W"	COLUMN SPACING "B"	OVERHANG "C"
12' MAX	9'-0" O.C.	3'-2"
11' MAX	9'-10" O.C.	3'-5"
10' MAX	10'-10" O.C.	3'-9"
9' MAX	12'-0" O.C.	4'-3"



- GENERAL NOTES:**
- THIS AWNING SUPPORT PLAN IS DESIGNED FOR USE WITH MANUFACTURED AND / OR MOBILE HOMES.
  - DESIGN LOADS (1994 UBC)
 

<b>VERTICAL</b>	<b>WIND</b>
D.L. = 1.0 PSF	HORIZONTAL = 10.0 PSF
L.L. = 10.0 PSF	UPLIFT = 10.0 PSF
T.L. = 11.0 PSF	
  - THE AWNING MAY BE ENCLOSED PER AWNING MANUFACTURERS APPROVED PLAN
  - ALL WORK SHALL BE IN ACCORDANCE WITH THE 1994 EDITION OF THE UNIFORM BUILDING CODE, THE CALIFORNIA CODE OF REGULATIONS TITLE 25 AND LOCAL CODES.
  - BEARING CAPACITY OF NATURAL SOIL OR COMPACTED FILL SHALL EQUAL OR EXCEED 1000 PSF PER U.B.C. TABLE 18-1-A. LATERAL BEARING CAPACITY SHALL EQUAL OR EXCEED 100 PSF PER U.B.C. TABLE 18-1-A. THIS AWNING SUPPORT SHALL NOT BE LOCATED IN AREAS WITH EXPANSIVE SOILS, AND/OR SOILS OTHER THAN AS INDICATED IN U.B.C. TABLE 18-1-A.
  - EXISTING AWNING SLOPE SHALL BE MAINTAINED BUT SHALL BE LESS THAN 1" PER FOOT MINIMUM.
  - STEEL SHALL CONFORM TO A.S.T.M. SPECIFICATION FOR MINIMUM YIELD STRENGTH OF 36,000 PSI, UNLESS OTHERWISE NOTED.
  - HOLES FOR BOLTS IN STEEL SHALL BE A BOLT DIA. +/- 1/16" MAXIMUM.
  - BOLTS SHALL BE A.S.T.M. GRADE A307, GALVANIZED OR STAINLESS STEEL (SS)
  - WELDING SHALL BE DONE WITH 70,000 PSI. ELECTRODE OR EQUAL BY A QUALIFIED WELDER IN AN APPROVED SHOP.
  - FASTENERS IN PRESSURE TREATED WOOD SHALL BE STAINLESS STEEL (S.S.).
  - CONTRACTORS SHALL VERIFY ALL SITE CONDITIONS & DIMENSIONS AND NOTIFY ENGINEER OF ANY DISCREPANCIES. CONTRACTOR SHALL BE RESPONSIBLE FOR SHORING AWNING BEFORE REPLACING SUPPORTS.
  - RESEAL THE AWNING TO MFC'D HOME CONNECTION AFTER INSTALLATION OF THE EXTENDERS.

REVISIONS	BY
10-27-99	T.L.W.
11-20-99	T.L.W.
8-29-01	T.L.W.

**DRAFTING TECHNOLOGIES**  
(916) 447-2804 FAX  
(916) 441-8020 FX

**Pacific Consulting Engineers**  
2150 Bell Avenue Ph. 916-564-6028  
Sacramento, CA. 95838 Fax. 916-564-6029

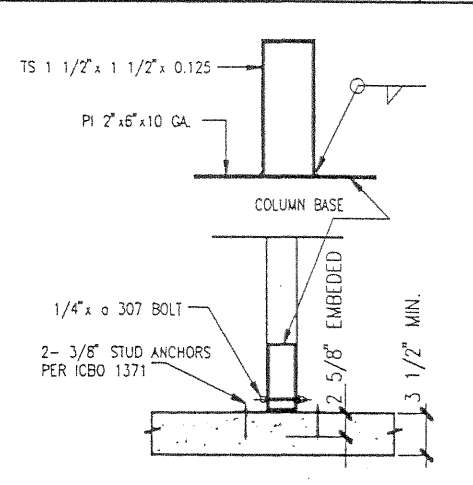
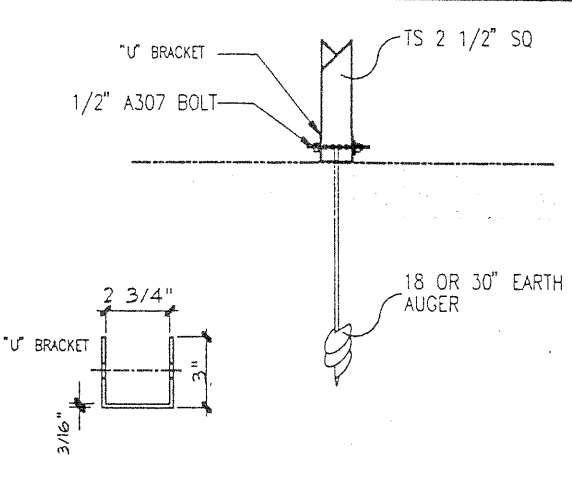
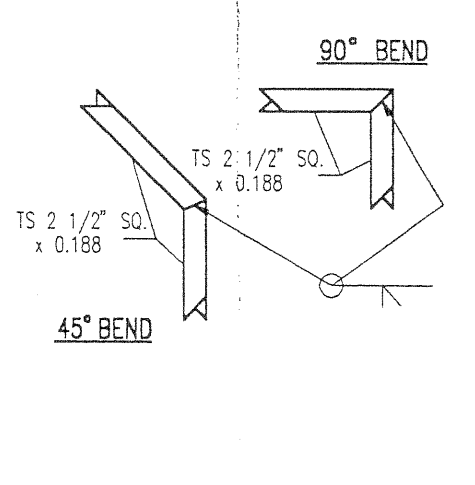
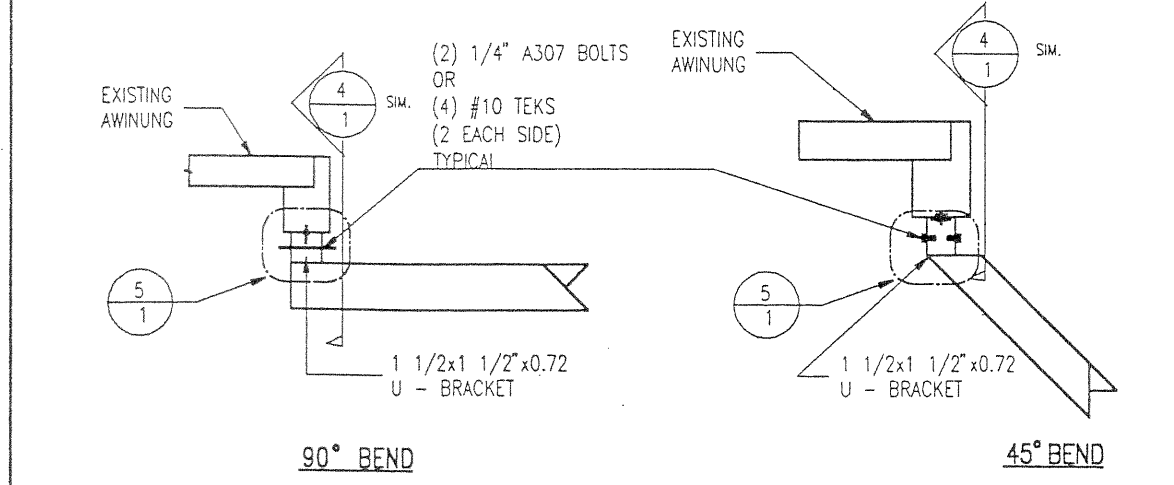
**PE**

RECEIVED  
SEP 14 2001

MOBILE HOME AWNING & SUPPORTS

NT.S. 1 AWNING SUPPORT COLUMNS

NT.S. 2 GENERAL NOTES: 2A

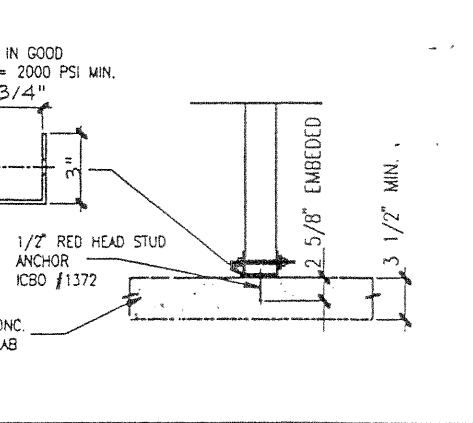
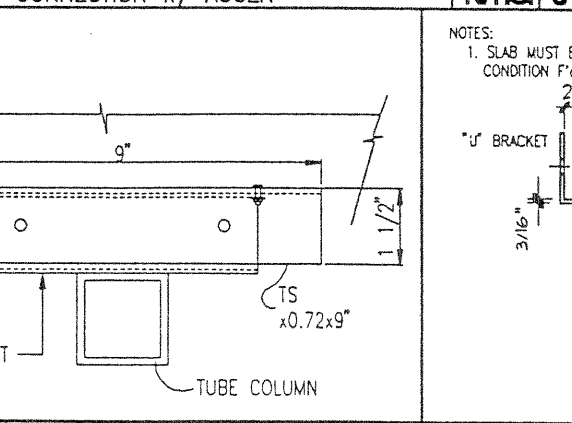
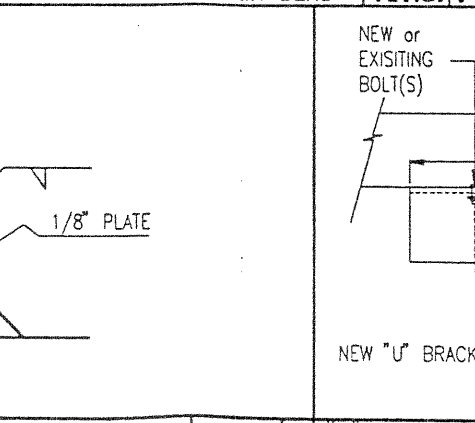
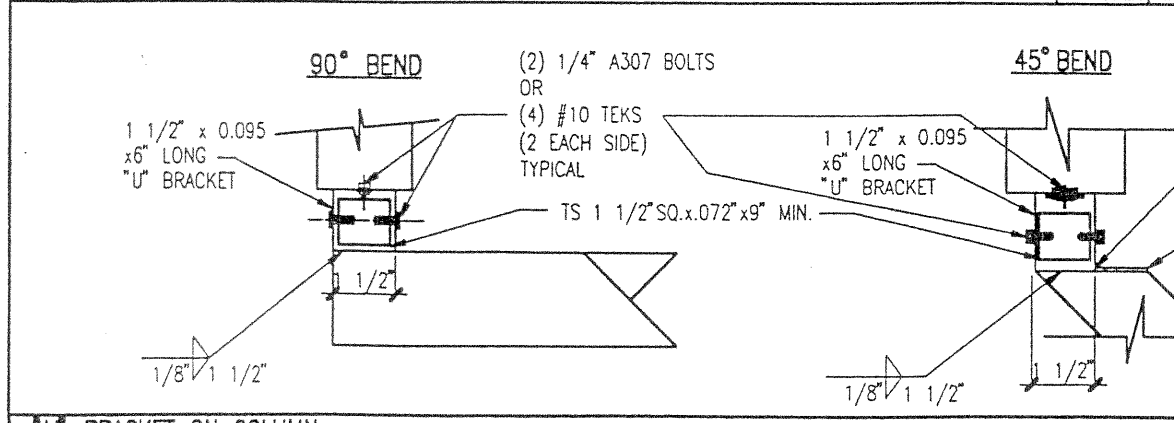


COLUMN CONNECTION @ EXISTING "U" BRACKET

NT.S. 3 CONNECTION @ COLUMN BEND

NT.S. 7 CONNECTION W/ AUGER

NT.S. 8



"U" BRACKET ON COLUMN

NT.S. 6 "U" BRACKET ON COLUMN

NT.S. 9

NT.S. 10 SLAB FOOTING

ABESCO  
5851 FLORIN-PERKINS ROAD  
SACRAMENTO CA 95828

AWNING EXTENDERS

DR. T. Wallace  
8-31-99  
NT.S.  
Sheet 1

A-1  
1 OF 1 SHEETS